



# Omni™ XT15

## EMC Configuration and Accessories Guide

*Designed to assist customers and partners with model and configuration guidance*



## Contents

- I. XT15 Series Configuration Guide**
- II. XT15 Series Accessories**





# XT15 Configuration Guide



## XT15 Series

CONFIGURATION AND ACCESSORY GUIDES are available on [The Source](#) and [PartnerCentral](#)

- Also see [www.zebra.com/xt15](http://www.zebra.com/xt15) and the XT15 Configuration and Accessories Guide

Find Product Information in the **EMC Product Portfolio** on [The Source](#) and [PartnerCentral](#)



**Partner Central**

ENTERPRISE MOBILE COMPUTING

# EMC PRODUCT PORTFOLIO

- EMC Resources
- Zebra Solutions At A Glance
- Enterprise Mobile Computing
  - Knowledge Worker Portfolio
  - Line Worker Portfolio
  - EMC Software & Solutions
- Topical Content
  - MSI OS Strategy
  - The Value of Enterprise Class Products

**CUSTOMER FACING** 

**FIELD MOBILITY** 

**TASK SPECIFIC** 

**INDUSTRIAL MOBILITY** 



# XT15 Configuration Matrix

CONFIGURATION OPTIONS:	WA4xx	OPTION	DESCRIPTION
Product Type	OBxxxxxxxxxxxx	B	XT15
	ODxxxxxxxxxxxx	D	XT15 Non Incendive Class I Div 2
	OExxxxxxxxxxxx	E	XT15 Freezer
Display and Op. Temp. Range	Ox0xxxxxxxxxxx	0	Standard with High Visibility display
	Ox1xxxxxxxxxxx	1	Standard with Extreme Duty (Higher Impact Resistance) display
	OE3xxxxxxxxxxx	3	Chiller (Condensation Resistant) with Extreme Duty display
	OE4xxxxxxxxxxx	4	Arctic (-30C) with Extreme Duty Heated Display
Memory	Oxx3xxxxxxxxxxx	3	512MB SDRAM/1GB Flash ROM
Operating System Options	Oxxx1xxxxxxxxxxx	1	Microsoft CE 6.0
	OxxxAxxxxxxxxxxx	A	Microsoft Windows Embedded Hand Held 6.5
Local Languages	Oxxx1xxxxxxxxxxx	1	English
	Oxxx2xxxxxxxxxxx	2	French
	Oxxx3xxxxxxxxxxx	3	German
	Oxxx5xxxxxxxxxxx	5	Italian
Emulation, Mobile Device Management, Browser Software	Oxxxx0xxxxxxxxxxx	0	No Terminal Emulation, No MDM
	OxxxxXxxxxxxxxxxx	2,3,4,5,6,E,F,G,H	Tek Term TE, Stay Linked TE, Naurtech Industrial Browser, Wavelink TE, MobiControl, Mobi Control and TekTerm, MobiControl and StayLinked TE, MobiControl and Naurtech Browser, MobiControl and Wavelink TE (Load only – License to be purchased separately)
Keypad Options	Oxxxxxx0xxxxxxx	0	No Keyboard Installed - Order keyboard separately
	Oxxxxxx1xxxxxxx	1	59 Key, Alpha ABC, Numeric Telephony, 6 Function single push
	Oxxxxxx1xxxxxxx	2	36 Key, Numeric Telephony, 12 Function single push
	Oxxxxxx3xxxxxxx	3	36 Key, Alpha Modified, Numeric Calculator, 12 Function single push
	Oxxxxxx4xxxxxxx	4	55 Key, Phone Keys, Alpha ABC, Numeric Telephony
	Oxxxxxx5xxxxxxx	5	66 Key, Phone Keys, Alpha QWERTY, Numeric Telephony, 6 Function
	Oxxxxxx8xxxxxxx	8	34 Key, Numeric Telephony, 12 Function Single Push
	OxxxxxxAxxxxxxx	A	Oracle, 59 Key, Alpha ABC, Numeric Telephony, 6 Function Single Push
	OxxxxxxBxxxxxxx	B	Oracle, 66 Key, Phone Keys, Alpha QWERTY, 6 Function Keys
	OExxxxxxCxxxxxxx	C	58 Key, Freezer Legacy Colors, Alpha ABC, Numeric Telephony
OExxxxxxDxxxxxxx	D	34 Key, Freezer Legacy Colors, Numeric Telephony, 12 Function	





## XT15 Configuration Matrix (XT15,F,NI) \*Unique Configurator for XT15NB

CONFIGURATION OPTIONS:	WA4xx	OPTION	DESCRIPTION
Future	Oxxxxxxxx0xxxxx	0	None
Radio Options	Oxxxxxxxx0xxxxx	0	802.11 A/B/G/N, BT 2.0+ EDR, No WAN
	Oxxxxxxxx1xxxxx	1	802.11 A/B/G/N, BT 2.0+ EDR, GPS – End of Life
	Oxxxxxxxx2xxxxx	2	802.11 A/B/G/N, BT 2.0+ EDR, HSPA +, GPS
	Oxxxxxxxx1xxxx	1	None
Standard Expansion Back Cover (No Pod or End Cap Capability)	Oxxxxxxxx2xxxx	2	Push-to-Talk Speaker
	Oxxxxxxxx3xxxx	3	Push-to-Talk Speaker, Camera
	Oxxxxxxxx8xxxx	8	Imager 2D – SE4500
	Oxxxxxxxx9xxxx	9	Imager 2D – SE4600LR
	OxxxxxxxxAxxxx	A	Scanner 1D – Auto Range SE1524ER
	OxxxxxxxxBxxxx	B	Scanner 1D - Standard Range SE1224HP
	OxxxxxxxxExxxx	E	Scanner 1D – Standard Range SE965HP
Secondary Expansion POD	Oxxxxxxxx1xxx	1	None
	Oxxxxxxxx8xxx	8	Imager 2D – SE4500
	OxxxxxxxxBxxx	B	Scanner 1D – Standard Range SE 1224HP
	OxxxxxxxxDxxx	D	Scanner 1D – Standard Range SE955
	OxxxxxxxxTxxx	T	HF RFID Note: Incompatible with WAN
Secondary Expansion ENDCAP	Oxxxxxxxx1xx	1	None
	Oxxxxxxxx8xx	8	Imager 2D – SE4500
	OxxxxxxxxDxx	D	Scanner 1D – SE955
Battery Options	Oxxxxxxxx0x	0	Standard 5000 mAh Lithium Ion Battery
	ODxxxxxxxx1x	1	Non-Incendive 5000 mAh Lithium Ion Battery
	OExxxxxxxx2x	2	5300 mAh Freezer Battery (required on Arctic)
Input Accessories	Oxxxxxxxx1	1	No input accessories
	Oxxxxxxxx2	2	Pistol Grip, Tethered Stylus
	Oxxxxxxxx4	4	Hand strap, Tethered Stylus

## Configuration Exceptions List

Terminal	OS	Standard Expansion (Back cover)	Secondary Expansion (Pod)	Secondary Expansion (End cap)	Radio	Input Accessories	Compatible	Explanation
All		Lorax			WWAN		No	WWAN requires expansion back cover so only end cap and pod scanners can work - which are SE4500, SE955, SE1224HP
All			HF RFID Reader		WWAN		Yes	
All			HF RFID Reader			Pistol Grip	No	RFID unit fits in the same location as pistol grip
All		SE4600, SE1524	HF RFID Reader				No	The only scanners that can be used with RFID are end cap scanners. Only SE4500 is currently available with a HF RFID.
NI, Freezer			HF RFID Reader				No	No Pod options are available for Freezer (and HF RFID requirement). HF RFID has not been qualified for NI.
All		Camera PTT speaker	HF RFID Reader				Yes	
Freezer with Narrowband							No	XT15 can be either Narrowband or Freezer, not technically feasible to support both on the product
Narrowband		SE1524 (Lorax) or SE4600					No	XT15NB supports scan engines in the large and small pods only: SE1224, SE955 and SE4500. SE4600 is too high of a power consumer to integrate with NB and SE1524 (Lorax) is technically feasible to integrate as a future option – request via CPR process.

## Main XT15 Variants



## XT15 Variants

### XT15 Standard

#### Operating System

- Windows CE 6.0
- Windows Embedded Handheld 6.5

#### Memory

- 512MB SDRAM/1GB Flash ROM

### XT15ni Non-Incendive

UL Class 1, Div 2,  
Groups A,B,C,D; T6

#### Operating System

- Windows CE 6.0
- Windows Embedded Handheld 6.5

#### Memory

- 512MB SDRAM/1GB Flash ROM

### XT15f Freezer

#### Condensation-Resistant Chiller model

- - 4° F / - 20° C environments

#### Condensation-free Arctic Model

- - 22° F / -30° C freezers

#### Operating System

- Windows CE 6.0
- Windows Embedded Handheld 6.5

#### Memory

- 512MB SDRAM/1GB Flash ROM

### XT15nb Narrowband

#### Operating System

- Windows CE 6.0

#### Region & Memory

- 512MB SDRAM/1GB Flash ROM
- UK countries (512 MB RAM/1 GB Flash)
- Non-UK (512 MB RAM/1 GB Flash)



## XT15 Radio Options



### Built-in Radios

802.11 A/B/G/N, Antenna with Bluetooth 2.0 + EDR, No WAN

802.11 A/B/G/N, Antenna with Bluetooth 2.0 + EDR, **UMTS / HSPA+, GPS**

Applicable only for Upgrades / Reconfiguration



### Expansion Radio Module

**RA3050-GPS** HSPA+ and GPS WAN expansion module

**RA3050 - GPS**  
HSPA+ and GPS WAN  
expansion module



RA3050-GPS requires End-cap with HSPA+ Antenna (ST96xx)

**Installation instructions for Radio Modules:**

<http://www.ingenuityworking.com/knowledge/w/knowledgebases/1525.workabout-pro4-product-manuals.aspx>

# XT15 Display Options



**ST2003**

**XT15 High Visibility display module**

Offers superior overall visibility with 165 cd/m<sup>2</sup> brightness



**ST2004**

**XT15 Extreme Duty display module**

Extreme -20° C and Impact Resistance  
Offers improved impact resistance (1.25 Joule impact) and improved low temperature performance



**ST2008**

**XT15F Chiller display Module**

-20° C Temp Extreme Condensation Resistant and Impact Resistance



**ST2007**

**XT15F Arctic Extreme Duty Heated display module**

-30° C Temp Extreme Condensation free and Impact Resistance

All replacement keypads are available as snap on, can be changed on site, without sending it to service depot.

# XT15 Back Cover Options

## Standard Expansions

<b>ST9002</b>	Blank Expansion Back cover
<b>ST9714</b>	SE4500 Standard 2D Imager
<b>ST9715</b>	SE4600LR Extended 2D Imager
<b>ST9703</b>	SE1524ER 1D Scanner Auto-Range
<b>ST9701</b>	SE1224HP 1D Scanner Standard-Range
<b>ST9004</b>	Push-to-Talk Speaker
<b>ST9013</b>	Push-to-Talk Speaker with Camera
<b>ST9710</b>	SE965 Standard Range 1D Laser for Freezer Units (XT15f)
<b>ST9711</b>	SE1524ER Lorax Engine for Freezer Units (XT15f)

**!** Scanner Engine Back covers cannot be combined with any Pod or End cap Accessories

Pods and end-caps compatible with speaker and camera back covers **!**



**ST6100**  
Pistol Grip Kit

**Optional Pistol Grip Kit**



**ST6500**  
Pistol Grip Kit

ST6500 pistol grip compatible with ST9715 (SE4600 LRI) too.



**ST9703**  
SE1524ER 1D Scanner

Optional Pistol Grip Kit



**ST6400**  
Pistol Grip Kit

**ST6104**  
**Replacement Pistol Grip Switch Cover**  
Normally included with each back cover



**ST9004**  
Back cover with Speaker



**ST9013**  
Back cover with Speaker and Camera



# XT15 Pod Options

## Secondary Expansions

- ST9100** Pod Blanking Cap
- ST9204** SE955 1D Standard Range Scanner (Slim Pod)
- ST9114** SE4500 2D Imager (Standard Pod)
- ST9101** SE1224HP 1D Standard Range Scanner (Standard Pod)
- ST9214** SE4500 2D Imager (Slim Pod)
- ST9210** HF RFID Reader



**ST9114**  
SE4500 2D Imager Standard Pod



**ST9101**  
SE1224HP 1D Scanner Standard Pod

## Optional pistol grip

**ST6000** Pistol grip kit for Standard pod scanners



**ST6000**  
Pistol Grip Kit

Pistol Grip Kit comes with screws. Order stylus and tether separately

ST6000 only compatible with **Standard** Pod modules (ST9114 and ST9101)



**ST9210**  
HF RFID Reader Pod

Works with Speaker, Camera, GPS, Endcap-Scanner, WAN radios but not in combination with pistol grip. HF module not compatible with freezer, NI, SE4600 or SE1524

## XT15 End Cap Options

### End-Cap Options

#### Standard Blank End Cap

<b>ST9301</b>	No Antenna
<b>ST9401</b>	GPS Antenna
<b>ST9500</b>	GPS and EDGE/Cellular Antennas
<b>ST9600</b>	GPS and HSPA+/Cellular Antennas

#### SE955 1D Standard Laser End Cap

<b>ST9304</b>	No Antenna
<b>ST9404</b>	GPS Antenna
<b>ST9504</b>	GPS and EDGE/Cellular Antennas
<b>ST9604</b>	GPS and HSPA+/Cellular Antennas

#### SE4500 2D Standard Imager End Cap

<b>ST9314</b>	No Antenna
<b>ST9414</b>	GPS Antenna
<b>ST9514</b>	GPS and EDGE/Cellular Antennas
<b>ST9614</b>	GPS and HSPA+/Cellular Antennas

## Optional Pistol Grip

### ST6300

Flush Mount Pistol Grip Kit for  
End Cap Scanners

Pistol Grip Kit comes with  
Stylus (ST6101) and screws 



**ST9301**  
Blank End Cap





## XT15 Battery Options

### 5300 mAh Battery



#### ST3003

Standard Battery Pack 5300 mAh, for Omnii XT15 Standard model, all configurations

### 5300 mAh Battery



#### ST3002

Arctic Freezer Battery Pack 5300 mAh; ships with XT15 Arctic; compatible with all XT15f models

### 5000 mAh Battery



#### ST3001-NI

NI Spare Battery Pack 5000 mAH for XT15ni - Non-Incendive models only

Hazardous Environments

ST3001-NI exclusive to XT15NI, failing to comply will void UL rating



## XT15 Keyboard and Keypad Options

### 34 Key Numeric Telephony

**ST5013**

Large Numeric Keys  
Alpha Character by SMS System

Replacement keypad part number:  
**ST5103**



### 59 Key Shifted Alpha

**ST5017**

Telephone Style Numeric  
6 Function Keys – (no F5)

Replacement keypad part number:  
**ST5117**



### 36 Key Modified Alpha

**ST5012**

Calculator style numeric keypad  
12 Direct Function Keys

Replacement keypad part number:  
**ST5112**



## XT15 Keyboard and Keypad Options

### 36 Key Numeric Telephony

ST5011

Large Numeric Keys  
12 Function Keys

Replacement keypad part number:  
ST5111



### 55 Key Alpha Numeric

ST5004

Telephone Style Numeric  
Alpha ABC Layout

Replacement keypad part number:  
ST5104



### 66 Key QWERTY

ST5003

Telephone Style Numeric  
Alpha QWERTY Layout

Replacement keypad part number:  
ST5103





# XT15 Keyboard and Keypad Options

## 59 Key Alpha Numeric ST5010

Telephone Style Numeric Keys  
6 Function Keys

Replacement keypad part number:  
**ST5110**



## 59 Key Alpha Num (ORACLE function keys) ST5015

Telephone Style Numeric

Replacement keypad part number:  
**ST5115**



## 66 Key QWERTY (ORACLE function keys) ST5016

Alpha QWERTY Layout

Replacement keypad part number:  
**ST5116**



All replacement keypads are available and can be changed on site,  
without sending it to service depot.

## XT15 Keyboard and Keypad Options

### 58 Key Freezer Keypad

ST5005

Alpha Numeric Keys  
6 Function Keys

Replacement keypad part number:  
**ST5105**



### 34 Key Freezer Keypad

ST5014

Telephone Style Numeric  
12 Function Keys

Replacement keypad part number:  
**ST5114**





## XT15 Operating Systems



Microsoft Windows  
Embedded Handheld 6.5  
Classic Edition

 Windows Embedded  
Handheld

### Operating System Configurations

Microsoft Windows embedded Handheld 6.5  
Professional Edition

Microsoft Windows Embedded Compact 6.0

Microsoft Windows  
Embedded Compact 6.0



 Microsoft  
**Windows CE**

OS in Local languages available for download on  
Support Central [https://portal.zebra.com/Support/US-EN/Mobile+Networks+RFID+and+BarCode+Scanners/Mobile+Computers/Handheld+Computers/Omnii\\_XT15\\_US-EN](https://portal.zebra.com/Support/US-EN/Mobile+Networks+RFID+and+BarCode+Scanners/Mobile+Computers/Handheld+Computers/Omnii_XT15_US-EN)

## XT15 Charging Methods



### Single Slot Cradle Kit:

**ST4002**  
(Worldwide except Argentina)

USB only – **Includes:** ST1050 power supply and PX3058 USB Cable (connects to Micro-USB/B port for ActiveSync communications)

**ST4002-AR**  
(Argentina only)

USB only – **Includes:** ST1050-AR power supply and PX3058 USB Cable.

**ST4003**  
(Worldwide except Argentina)

USB, Serial, Ethernet – **Includes:** ST1050 power supply and PX3058 USB Cable (connects to Micro-USB/B port for ActiveSync communications)

**ST4003-AR**  
(Argentina only)

USB, Serial, Ethernet – **Includes:** ST1050-AR power supply and PX3058 USB Cable.



The single slot cradle can charge a XT15 terminal, charges a spare battery and has USB master and slave connections.

### Additional accessories for single slot cradle



**ST1050**  
Wall Adapter Power Supply (Worldwide except Argentina)



**ST1050-AR**  
Wall Adapter Power Supply (Argentina only)



**PX3058**  
Micro USB Cable



**ST4100**  
Cradle Ethernet / Serial XMOD Kit - adds Ethernet, Serial port to USB Only Single Slot Cradle (ST4002 or ST4002-AR)

# XT15 Charging Methods



## 4 Slot Ethernet/Charging Cradle:

### ST4004

Docking station quad Ethernet (power cable sold separately)

Ethernet Daisy Chain Capable



#### AC Line Cords:

- 9008693 for North America
- 9008892 for Europe
- 9008950 for UK

### PS1055-G1

The four slot cradle includes a power supply (PS1055-G1). Must purchase specific country AC Line Cord.

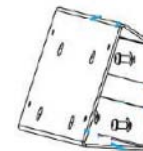


## Battery Charger



### ST3006

Six slot spare battery charger to be used with high and ultra high capacity batteries. Includes power supply (PS1056-G1). Must order AC line cord separately.



### MT2031

Wall mount bracket for 6-slot spare battery charger

# XT15 Charging Methods



## Vehicle cradle:

### ST1000

Un-powered Vehicle cradle – designed to securely mount XT15, does not provide any power or peripheral ports

### ST1002

Powered Vehicle cradle 12v-30v - Charges XT15 and also supports Power, USB, RS232 Serial connections. Cables for Power, USB, RS232 ordered separately

## Optional Accessories



### CA3002

Vehicle Cradle Cigarette Lighter Adapter



### PS1350

Pre-regulator module required when connecting the vehicle cradle to power sources above 20V to a maximum of 72V.



MT3324 MT3325

! When using the vehicle cradle, the universal RAM mount arm is required (Order separately 5" or 8" arm)



CA3000  
Power only



CA3001  
Power + Connector block  
with 2 USB + RS232



CA1210  
Connects power  
cable to vehicle  
battery

! For powered connection, must order a power cable 9-20V input (CA1210) or the vehicle power outlet adapter cable (CA3000, CA3001)



MT3327 has USB RS232  
connector block mount  
capability



MT3328 – RAM  
mount vertical



MT3326 – RAM  
mount horizontal

! A mounting bracket is required when vehicle cradle's RAM mount is anchored to horizontal/vertical surface (Order separately MT3327, MT3326, MT3328)

## XT15 Mobile Charging Options

### Charge only Module



#### **ST4000**

Provides device charging connection

### USB/Charge Module



#### **ST4001**

Provides Micro USB/B, USB/A and charging connections

### RS232/Charge Module



#### **ST4005**

Provides RS232 DE9 and charging connections

! All Snap-on modules require ST1050/ST1050-AR Power Supply for AC charging OR ST3113 Cigarette Lighter Adapter for in-vehicle charging

! ST4001 also requires PX3058 Micro USB Cable to support ActiveSync connections



#### **ST3113**

Auto Charge/Cigarette Lighter Adapter Cable, 12V DC input



## XT15 Carrying Accessories

### Rubber Boots

**ST6080** Rubber Boot for units with **Standard Back Cover** (Yellow or Grey ST6081)

**ST6086** Rubber Boot (Blue) for **Freezer units with Standard Back Cover** 

**ST6082** Rubber Boot for units with **Expansion Back Cover** (Yellow or Grey ST6083)

**ST6084** Rubber Boot for units with **Expansion Back Cover and End Cap scanner** (Yellow or Grey ST6085)

### Optional shoulder strap for rubber boots

**CV6021** Shoulder strap for use with all rubber boots



**ST6084**  
Rubber Boot for Units with  
Expansion Back cover and  
End cap scanner



**ST6080**  
Rubber boot for units with  
Standard Back Cover

# XT15 Carrying Accessories

## Soft Shell Holsters

Compatible with Pistol Grip units 



### ST6050

Soft shell holster  
Includes waist belt and leg strap



### ST6091

Soft Shell Pouch with Belt Clip



Not compatible with Pistol Grip

## Other Holsters



### ST6055

Hard Shell/Form Fit Holster for units with Standard Back Cover. **ST6056** for units with Expansion Back cover and Std Pods



### ST6051

Forklift  
Holster



### ST6052

Forklift Holster, supports  
Rubber Boot (ST6086)

## Carry Case



### ST6090

Carry Case for units with Standard Back cover

### ST6092

Carry Case for units with Expansion Back cover

### ST6093

Carry Case for units with Expansion Back cover and End Cap Scanner – Non FCC country approved

Compatible with Pistol Grip units 

## XT15 Carrying Accessories

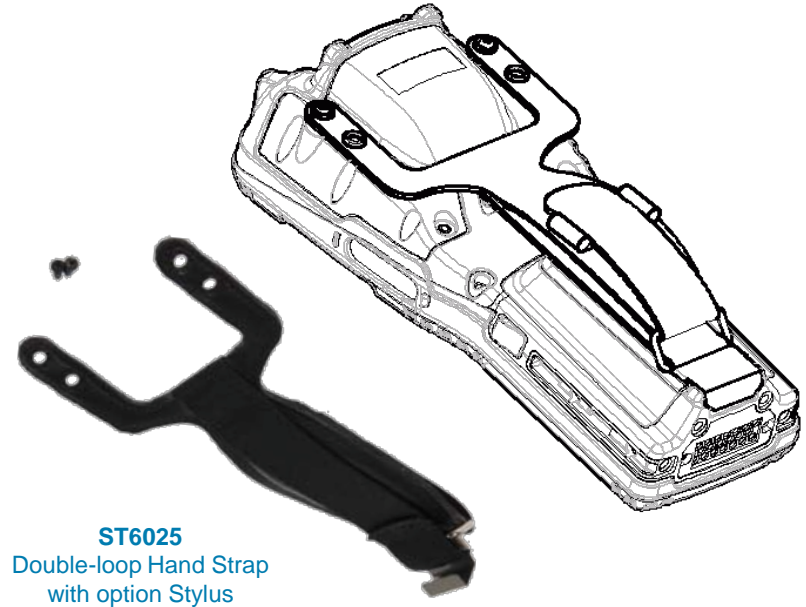
### Hand Straps

- ST6025** Adjustable double-loop hand strap
- ST6026** Non-adjustable and elastic hand strap (recommended for use with vehicle cradle)

Hand Straps include a storage option for stylus !

### Miscellaneous

- ST6040** Wrist Strap
- ST6101** Short Yellow Stylus (Pack of 3)
- ST6102** Long Grey Stylus (Pack of 3)
- ST6103** Tethers for Stylus (Pack of 3)
- ST6310** Stylus Holder
- RV6105** Screen Protector/Guard



**ST6025**  
Double-loop Hand Strap  
with option Stylus



**ST6040**  
Wrist Strap

**ST6310**  
Stylus Holder

